

# Transform your residential and commercial projects with Curving – a premier solution offering unparalleled creative freedom.

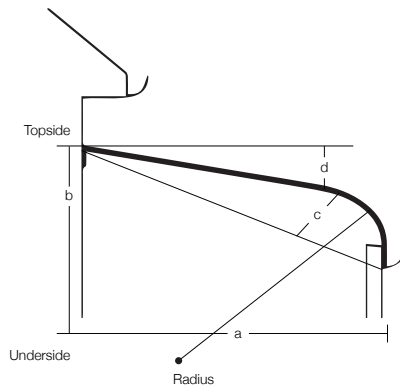
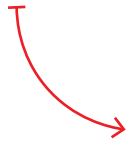
---

We can expertly curve traditional curves or custom designs, ensuring precision and tight curves that seamlessly match our machine corrugated profiles. Our dedicated precision curving machines allow mechanical curvature of various profiles, guaranteeing a superior finish. The skilled craftspeople at Revolution by Design are committed to delivering accuracy and seamlessness for a high-quality outcome.

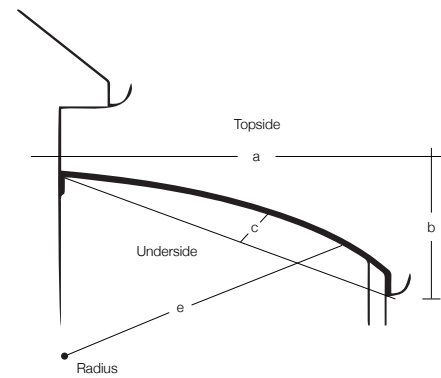
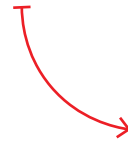
Explore our diverse range of profiles and colour options to elevate your project.

## ORDER INFORMATION

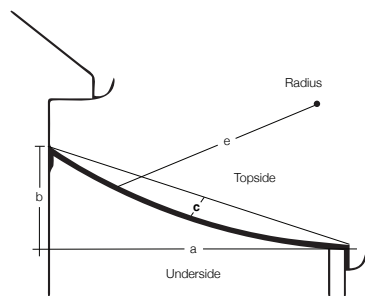
CONVEX



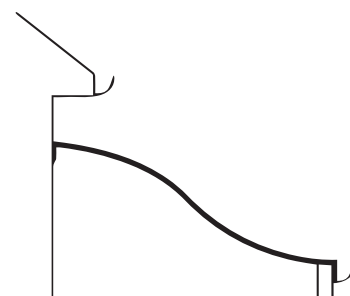
BULLNOSE



EYELASH



OG



A = Distance from the fascia front to wall

B = Distance from the fascia height to the wall attachment

C = Required dip

D = Pitch angle from wall

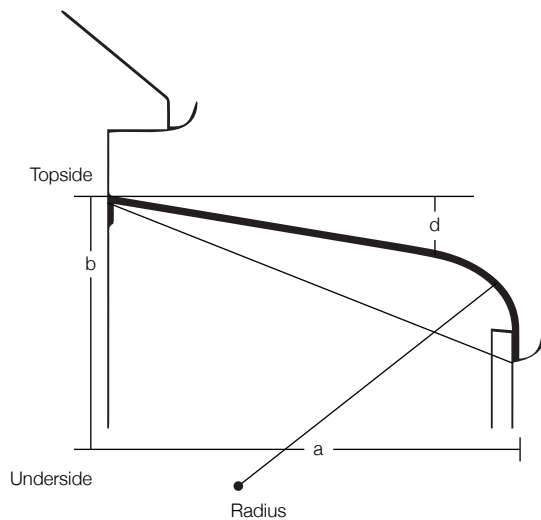
E = Radius (min. 450mm)

## ORDER SPECIFICATIONS

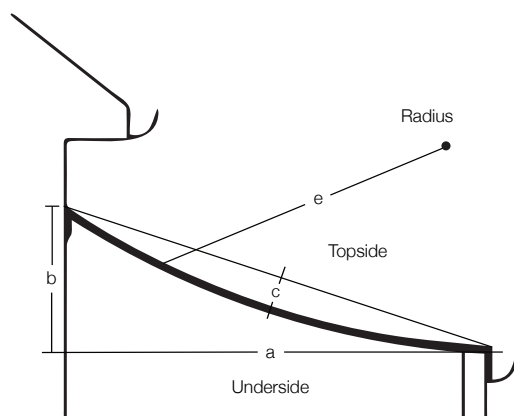
Profile Type:	Topside/Underside
Material:	Template Supplied <input type="checkbox"/> YES <input type="checkbox"/> NO
Overall Sheet Length:	Add 50mm into gutter <input type="checkbox"/> YES <input type="checkbox"/> NO
A = _____ B = _____ C = _____ D = _____ E = _____	Lay Direction <input type="checkbox"/> LEFT TO RIGHT <input type="checkbox"/> RIGHT TO LEFT

## ORDER INFORMATION

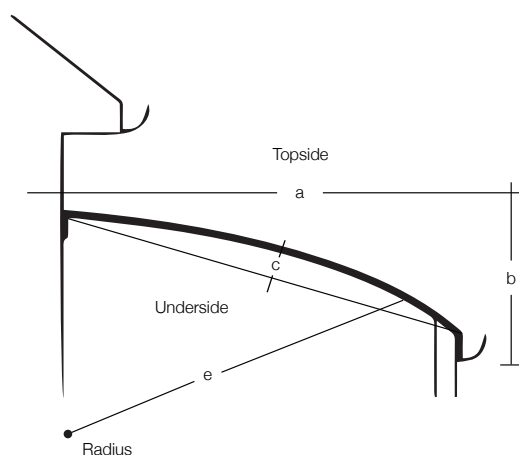
BULLNOSE



CONCAVE



CONVEX



- A = Distance from the fascia front to wall
- B = Distance from the fascia height to wall attachment
- C = Required dip (mesasure to top of rib)
- D = Pitch angle from wall
- E = Radius (min. 450mm)

## ORDER SPECIFICATIONS

Profile Type:

Material:

Overall Sheet Length:

A = \_\_\_\_\_

B = \_\_\_\_\_

C = \_\_\_\_\_

D = \_\_\_\_\_

E = \_\_\_\_\_

Colourside

Topside

Underside

Lay Direction

LEFT TO RIGHT

RIGHT TO LEFT

Template Supplied

YES  NO

Add 50mm into Gutter

YES  NO